



Technical specification

Cold Milling Machine W 210/W 210i

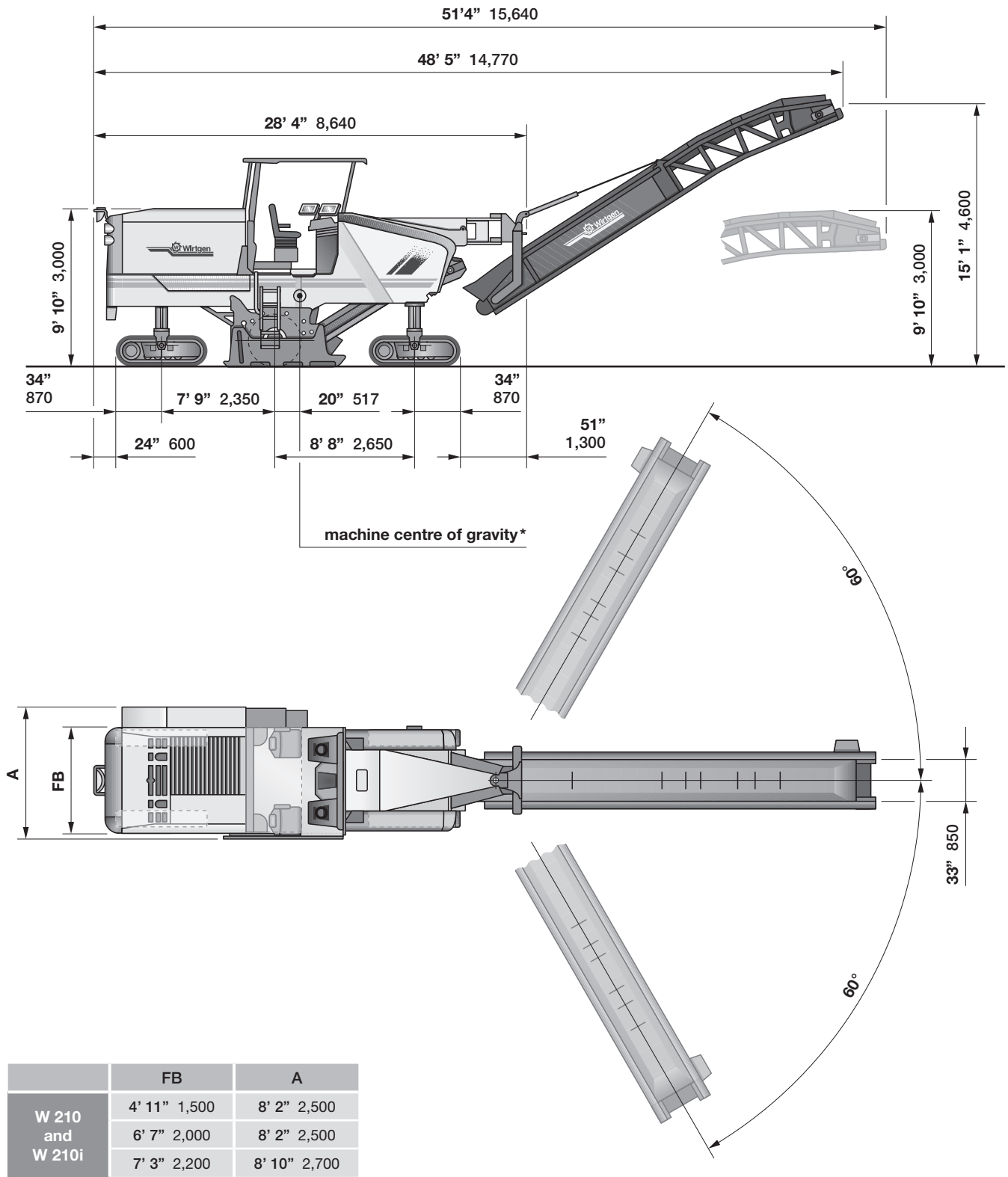


Technical specification

	Cold milling machine W 210 and W 210i		
Milling drum	Option FB 1,500	Standard FB 2,000	Option FB 2,200
Milling width	4' 11" 1,500 mm	6' 7" 2,000 mm	7' 3" 2,200 mm
Milling depth *1	0–12" 0–310 mm	0–13" 0–330 mm	0–13" 0–330 mm
Tool spacing	5/8" 15 mm	5/8" 15 mm	5/8" 15 mm
Number of tools	136	162	174
Drum diameter with tools	40" 1,020 mm		
Engine	W 210	W 210i	
Manufacturer	CUMMINS		
Type	QSL 8.9 + QSC 8.3	QSL 9 + QSL 9	
Cooling	Water		
Number of cylinders	6 + 6		
Rated power at 2,100 min ⁻¹	470 kW/630 HP/639 PS	507 kW/680 HP/690 PS	
Maximum power at 1,900 min ⁻¹	500 kW/671 HP/680 PS	534 kW/716 HP/726 PS	
Operating power at 1,600 min ⁻¹	469 kW/628 HP/638 PS	494 kW/663 HP/672 PS	
Displacement	4.5 gal 17.2 l	4.8 gal 18 l	
Fuel consumption at rated power	34.6 gal/h 131 l/h	35.9 gal/h 136 l/h	
Fuel consumption in field mix	13.7 gal/h 52 l/h	14.3 gal/h 54 l/h	
Emission standards	EU Stage 3a/US Tier 3	EU Stage 3b/US Tier 4i	
Electrical system	24 V		
Filling capacities			
Fuel tank	322.3 gal 1,220 l		
Hydraulic fluid tank	52.8 gal 200 l		
Water tank	885 gal 3,350 l		
Driving properties			
Travel speed in milling and travel gear, max	0–279 ft/min (3.11 mph) 0–85 m/min (5 km/h)		
Crawler tracks			
Crawler tracks front and rear (L x W x H)	5' 8" x 12" x 24" 1,730 x 300 x 610 mm		
Loading the milled material			
Belt width of primary conveyor	33" 850 mm		
Belt width of discharge conveyor	33" 850 mm		
Theoretical capacity of discharge conveyor	490.5 yd ³ /h 375 m ³ /h		
Shipping dimensions			
Machine, optional milling width 4' 11" (1,500 mm) (L x W x H)	28' 4" x 8' 2" x 9' 10" 8,640 mm x 2,500 x 3,000 mm		
Machine, standard milling width 6' 7" (2,000 mm) (L x W x H)	28' 4" x 8' 2" x 9' 10" 8,640 mm x 2,500 x 3,000 mm		
Machine, optional milling width 7' 3" (2,200 mm) (L x W x H)	28' 4" x 8' 10" x 9' 10" 8,640 mm x 2,700 x 3,000 mm		
Discharge conveyor (L x W x H)	25' 11" x 57" x 4' 11" 7,900 x 1,450 x 1,500 mm		

*1 = The maximum milling depth may deviate from the value indicated, due to tolerances and wear.

Dimensions in American standard and mm

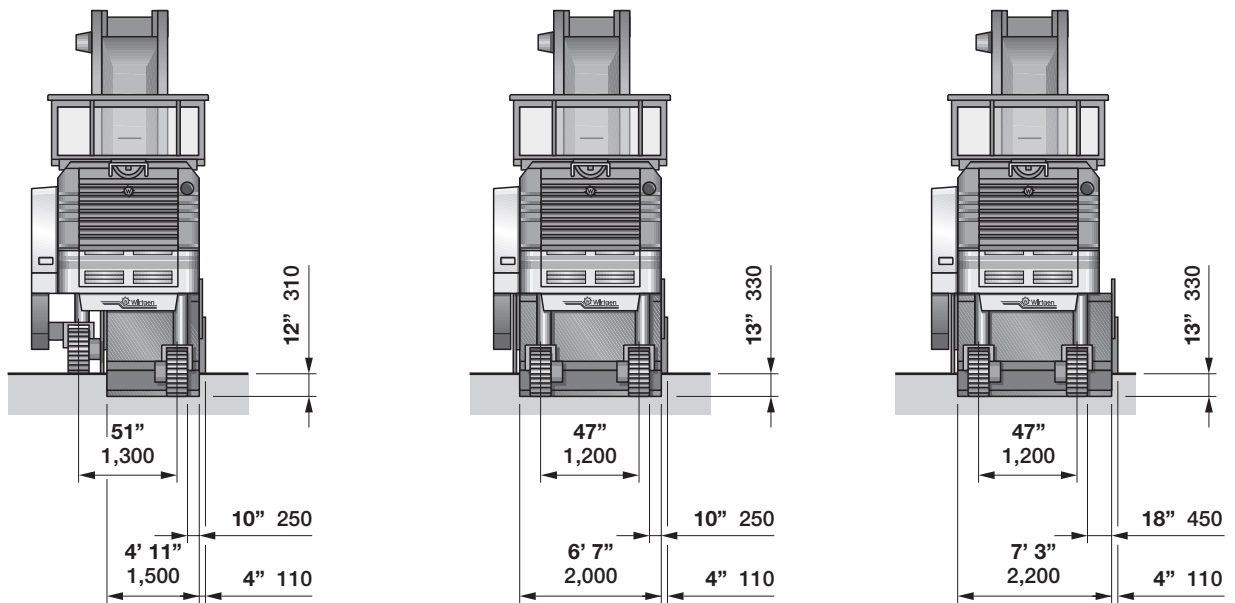


* = based on operating weight, CE, with conveyor folded out

	Machine weights W 210 and W 210i
Empty weight of machine without filling media	58,643 lbs 26,600 kg
Operating weight, CE *	63,714 lbs 28,900 kg
Operating weight, max. (full tanks, full range of equipment), milling width 7' 3" (2,200 mm)	79,455 lbs 36,040 kg
	Weights of filling media
Water tank filling in kg	7,386 lbs 3,350 kg
Diesel tank filling in kg (6.93 lbs/gal (0.83 kg/l))	2,205 lbs 1,000 kg
	Optional equipment features increasing / reducing empty weight
Driver and tools	
Driver	165 lbs 75 kg
Weight of 5 cutting tool containers	276 lbs 125 kg
On-board tools	66 lbs 30 kg
Optional milling drum assemblies in lieu of standard	
Milling drum housing, milling width 4' 11" (1,500 mm)	220 lbs 100 kg
Milling drum housing, milling width 7' 3" (2,200 mm)	441 lbs 200 kg
Milling drum housing, milling width 6' 7" (2,000 mm), FCS-L	1,433 lbs 650 kg
Milling drum housing, milling width 7' 3" (2,200 mm), FCS-L	1,984 lbs 900 kg
Optional milling drums in lieu of standard	
Milling drum, milling width 4' 11" (1,500 mm), tool spacing 15	-1,014 lbs -460 kg
Milling drum, milling width 7' 3" (2,200 mm), tool spacing 15	397 lbs 180 kg
Optional FCS milling drums in lieu of standard	
Milling drum, milling width 6' 7" (2,000 mm), tool spacing 6x2, FCS-L	2,183 lbs 990 kg
Milling drum, milling width 6' 7" (2,000 mm), tool spacing 8, FCS-L	1,455 lbs 660 kg
Milling drum, milling width 6' 7" (2,000 mm), tool spacing 15, FCS-L	-331 lbs -150 kg
Milling drum, milling width 6' 7" (2,000 mm), tool spacing 18, FCS-L	-573 lbs -260 kg
Milling drum, milling width 7' 3" (2,200 mm), tool spacing 6x2, FCS-L	2,337 lbs 1,060 kg
Milling drum, milling width 7' 3" (2,200 mm), tool spacing 8, FCS-L	1,984 lbs 900 kg
Milling drum, milling width 7' 3" (2,200 mm), tool spacing 15, FCS-L	0 lbs 0 kg
Milling drum, milling width 7' 3" (2,200 mm), tool spacing 18, FCS-L	-66 lbs -30 kg
Optional additional equipment	
Operator's platform with comfortable seats in lieu of standard	551 lbs 250 kg
Canopy in lieu of standard	617 lbs 280 kg
Cabin in lieu of standard	1,323 lbs 600 kg
Folding conveyor in lieu of standard	1,146 lbs 520 kg
VCS – Vacuum Cutting System	331 lbs 150 kg
Supplementary weight for flexible use	3,748 lbs 1,700 kg

* = weight of machine with half-full water tank, half-full fuel tank, driver (165 lbs (75 kg)) and on-board tools

Rear view of machine with different milling width options
 Dimensions in American standard and mm

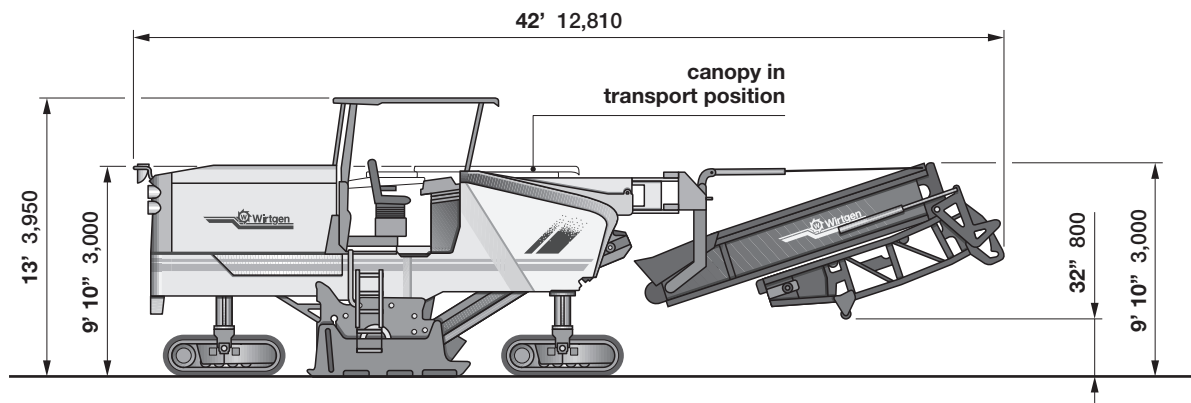


4' 11" (1.50 m) wide drum assembly

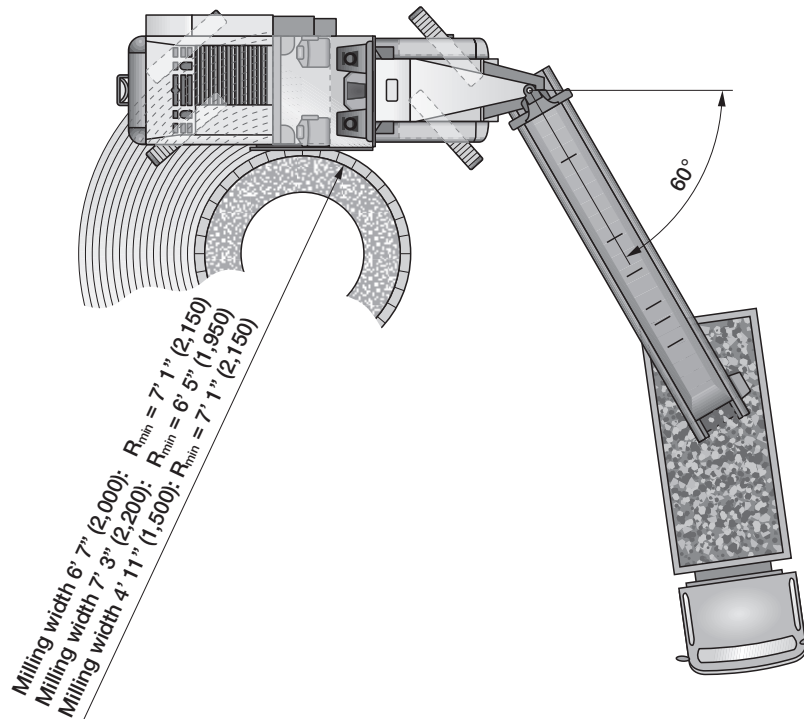
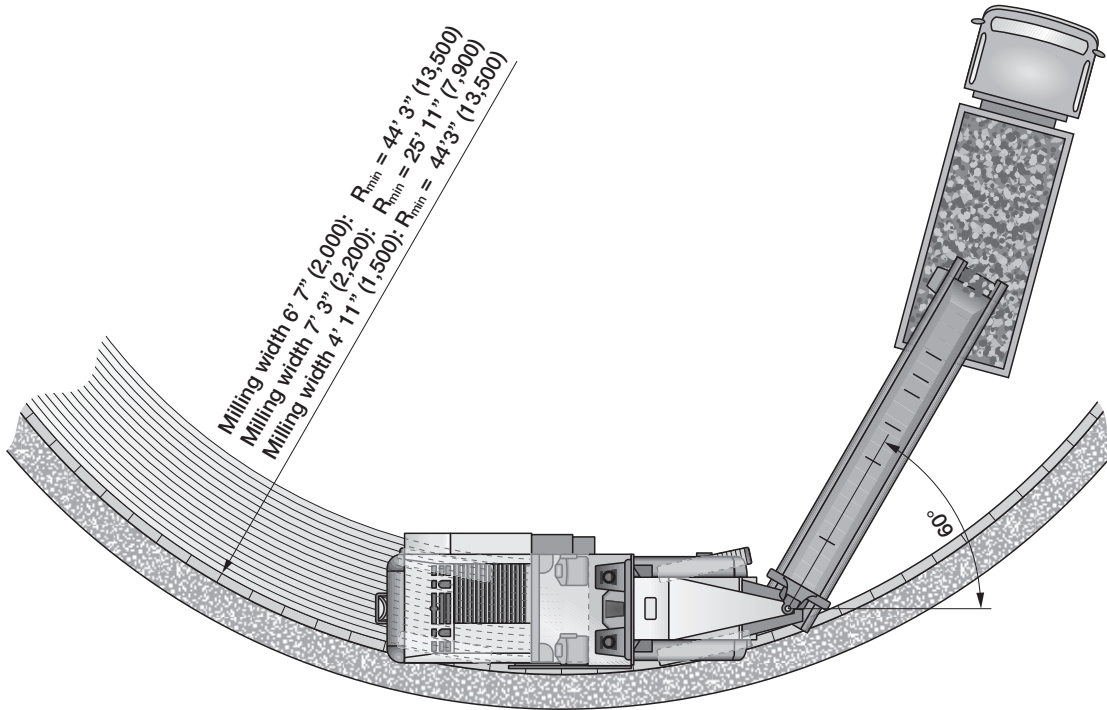
6' 7" (2.00 m) wide drum assembly

7' 3" (2.20 m) wide drum assembly

Machine transport with optional canopy and hydraulic folding conveyor
 Dimensions in American standard and mm



Milling radius, 6" (150 mm) milling depth
Dimensions in American standard and mm



Equipment features of cold milling machine W 210 and W 210i

Standard equipment:

Basic machine with engine

- Machine frame with dual wasp waist
- Hydraulically opening, soundproof engine cowling
- Air compressor system
- Battery-operated hydraulic module for hydraulic cylinder functions and for emergency functions
- Automatically engaging high-pressure water system, 18 bar, 17.7 gal/min (67 l/min)
- Engine cooling system with temperature-governed fan speed
- Large storage compartments for cutting tool containers
- Standard painting in Wirtgen white with orange stripes

Milling drum housing

- Milling drum housing for milling width 6' 7" (2,000 mm) without FCS features
- Three electrically engageable milling drum speeds
127 1/min - 109 1/min - 97 1/min
- Hydraulic gradation control beam with conveyor lift function
- Hydraulically movable and adjustable scraper blade with automatic locking function
- Hydraulically lifting edge protection plates left and right; clearance right 18" (450 mm), clearance left 13" (330 mm)
- Two separately engageable water spray bars in the milling drum assembly

Milling drums

- Milling drum, milling width 6' 7" (2,000 mm), HT11, tool spacing LA15
- Multiple-use ejector system

Loading of milled material

- Conveyor system with manually or automatically adjustable conveying speed
- Water spray system at the primary conveyor
- Slewing angle of discharge conveyor $\pm 60^\circ$

Machine and levelling control

- Clearly structured main control panel with functional switches
- Multi-functional control screen including display of major machine parameters
- Multifunctional truck loading indicator integrated in control screen
- Comprehensive diagnostic system included in control screen
- Automatically engaging milling power control unit
- Four exterior control panels for operation by ground staff
- Digital electric height indicator
- Full pre-installation for up to 7 levelling sensors per machine side

Operator's platform

- Fully anti-vibration mounted operator's platform
- Convenient, individually adjustable control panel
- Convenient access to operator's platform with stand-up seat, left and right
- Lockable covers for control panels
- Two mirrors at the front, one mirror at the centre, one mirror at the rear of the machine

Chassis and height adjustment

- PTS – machine is aligned parallel to the pavement surface automatically
- ISC – intelligent crawler track speed control through hydraulic four-track drive
- High machine stability through four-fold full-floating axle
- Four-track steering with freely selectable steering modes
- Extremely wear-resistant, two-piece EPS polyurethane track pads

Miscellaneous

- Lighting package with 11 halogen working spotlights
- Four LED lights in the area of the milling drum unit
- "Welcome" and "Go home" lights feature including LED lighting in the area of the operator's access and platform
- Comprehensive toolkit in lockable toolbox
- Comprehensive safety package with 6 emergency stop switches
- European design type certification, GS mark (Geprüfte Sicherheit = Tested Safety) and CE conformity
- Standard warranty of 12 months or 1,000 engine operating hours
- Machine commissioning by qualified personnel
- Comprehensive operating manual and machine documentation

Optional equipment:

Basic machine with engine

- Special painting in one, two or several colours

Milling drum housing

- Milling drum housing for milling width 4' 11" (1,500 mm)
- Milling drum housing for milling width 7' 3" (2,200 mm)
- Milling drum housing for milling width 6' 7" (2,000 mm), FCS-Light
- Milling drum housing for milling width 7' 3" (2,200 mm), FCS-Light
- Drum turning device for cutting tool replacement
- Pneumatic cutting tool driver and extractor
- Max. 2 electro-hydraulically operated cutting tool extractors
- Fold-out additional seats at the rear crawler tracks for cutting tool replacement

Milling drums

- Milling drum, milling width 7' 3" (2,200 mm), HT11
- Milling drum, milling width 6' 7" (2,000 mm), HT11, LA15, FCS-Light
- Milling drum, milling width 7' 3" (2,200 mm), HT11, LA15, FCS-Light
- Milling drum, milling width 6' 7" (2,000 mm), HT11, LA8, FCS-Light
- Milling drum, milling width 7' 3" (2,200 mm), HT11, LA8, FCS-Light
- Milling drum, milling width 6' 7" (2,000 mm), HT5, LA6x2, FCS-Light
- Milling drum, milling width 7' 3" (2,200 mm), HT5, LA6x2, FCS-Light
- Milling drum, milling width 6' 7" (2,000 mm), HT11, LA25, FCS-Light
- Milling drum, milling width 7' 3" (2,200 mm), HT11, LA25, FCS-Light
- Milling drum, milling width 6' 7" (2,000 mm), HT11, LA18, FCS-Light
- Milling drum, milling width 7' 3" (2,200 mm), HT11, LA18, FCS-Light
- Mounting carriage for milling drums

Loading of milled material

- Hydraulically folding discharge conveyor
- VCS – vacuum cutting system
- Conveyor support legs for machine transport

Machine and levelling control

- Data interface with data transmission in accordance with WIFMS
- LEVEL PRO automatic levelling system with hydraulic milling depth sensors at the side plates, left and right
- Up to two additional LEVEL PRO control panels
- Detection of actual milling depth via sensor package and readout on LEVEL PRO and machine screen
- RAPID SLOPE cross slope sensor
- Hydraulic cylinder sensor to scan the milling depth in front of the milling drum, right
- Hydraulic cylinder sensor to scan the milling depth in front of the milling drum, left and right
- Laser sensor with laterally movable hydraulic levelling arm including laser transmitter and laser receiver
- Sonic ski sensor for scanning a stringline
- Multiplex sensors with two additional ultrasonic sensors including bracket and cable in 3-fold Multiplex system package, right
- Multiplex sensors with two additional ultrasonic sensors including bracket and cable in 3-fold Multiplex system package, left and right
- Pre-installation of laser sensor including laser signal receiver but excluding laser signal transmitter
- Pre-installation for 3D GPS levelling including receiver mast

Operator's platform

- Operator's platform with individually adjustable, comfortable driver's seats, left and right
- Operator's cabin as part of the "Operator Comfort System"
- Hot-air blower heating in the footwell area of the operator's platform, left and right
- Complete set of fold-in mirrors, partly electric, with stop-and-go indicator
- Hydraulically retracting protective canopy

Miscellaneous

- Screen system including display
- Hydraulically operated electrical generator with a capacity of 4 kW at 220 volts
- Hydraulically operated electrical generator with a capacity of 4 kW at 110 volts
- Lighting balloon, 2 kW operated at 220 volts
- Lighting balloon, 2 kW operated at 110 volts
- Electrically operated diesel tank filling pump
- Hydraulically operated water tank filling pump
- Optional lighting package with 5 halogen and 6 Xenon working lights
- Bolt-on supplementary weight 3,748 lbs (1,700 kg)
- Large storage compartment in lieu of standard storage compartment at the rear of the machine
- Hydraulically operated high-pressure water cleaner, 150 bar, 4 gal/min (15 l/min)



WIRTGEN AMERICA

Wirtgen America Inc.
6030 Dana Way · Nashville, TN 37013, USA
Phone: (615) 501-0600 · Fax: (615) 501-0691
Internet: www.wirtgenamerica.com